



LINEAR VERTICAL RADIATORS

25
year
warranty

DeLonghi

Living innovation



SLEEK, SMOOTH CONTEMPORARY LOOKS, WITH SPACE SAVING OPTIONS

De Longhi Linear Vertical radiators come in various heights and widths, with a sleek streamlined finish they offer options if space is a problem or if an architectural look is preferred.

If you need confirmation of quality, every De Longhi radiator has a 25 year guarantee against design or manufacturing defects from the date of installation.

finishes

High gloss white

measurements

Available as 1400, 1600, 1800, 2000, 2200, 2400 high

For full details PTO

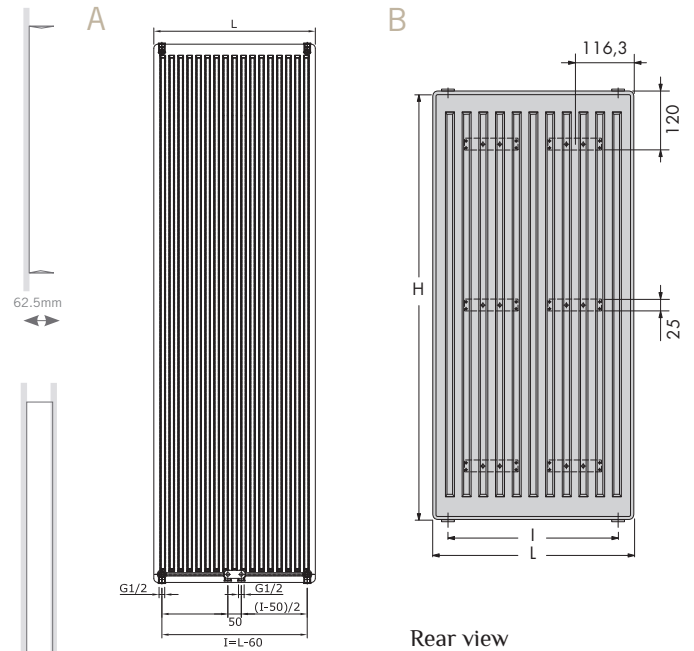
DE LONGHI VERTICAL LINEAR RADIATOR OUTPUTS AND DIMENSIONS

TABLES BASED ON ΔT 60°C - MEAN WATER TEMPERATURE IN RADIATOR OF 80°C AND ROOM TEMPERATURE OF 20°C
 RADIATOR OUTPUTS TO EN442 STANDARD - NB: (ALL SIZES SPECIAL ORDER ITEMS)

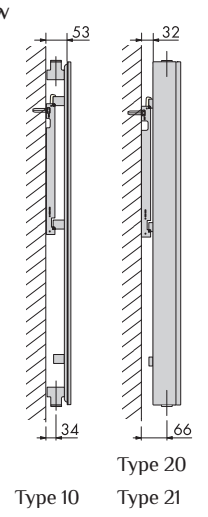
Type 10 Single (no side panels, grilles or convection fins)							
L-mm	H-mm	1400	1600	1800	2000	2200	2400
300	kW	0.477	0.525	0.584	0.645	0.720	0.797
400	kW	0.636	0.700	0.779	0.859	0.961	1.063
500	kW	0.795	0.875	0.973	1.074	1.201	1.328
600	kW	0.954	1.050	1.168	1.289	1.441	1.594
700	kW	1.113	1.225	1.363	1.504	1.681	1.860
900	kW	1.431	1.576	1.752	1.934	2.161	2.391

Type 20 Compact side panels, grilles (no convection fins)							
L-mm	H-mm	1400	1600	1800	2000	2200	2400
300	kW	0.725	0.819	0.919	1.023	1.135	1.208
400	kW	0.967	1.091	1.226	1.365	1.514	1.611
500	kW	1.208	1.364	1.532	1.706	1.892	2.014
600	kW	1.450	1.637	1.838	2.047	2.271	2.417
700	kW	1.692	1.910	2.145	2.388	2.649	2.819
900	kW	2.175	2.456	2.758	3.070	3.406	3.625

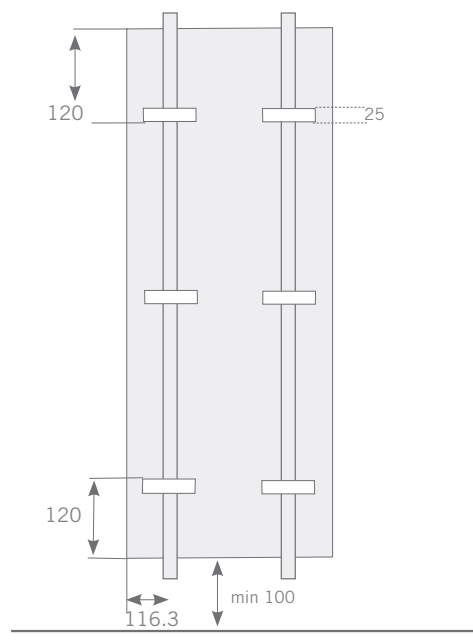
Type 21 Compact side panels, grilles & convection fins							
L-mm	H-mm	1400	1600	1800	2000	2200	2400
300	kW	0.936	1.029	1.120	1.205	1.286	1.426
400	kW	1.248	1.372	1.493	1.607	1.714	1.901
500	kW	1.560	1.715	1.867	2.009	2.143	2.376
600	kW	1.872	2.059	2.240	2.410	2.572	2.851
700	kW	2.184	2.402	2.614	2.812	3.000	3.327
900	kW	2.807	3.088	3.360	3.616	3.857	4.277



CONNECTION OPTIONS:
 Centre connection option refer to above diagram A. Take the radiator width "L" deduct 50mm then divide by 2 to get pipe centres "I" measurement.
 Bottom valve connections to either side of the radiator refer to above diagram B. The connection centres are 30mm in from each outside edge of the radiator. Take the radiator width "L" then deduct 60mm to get pipe centres "I" measurement.



INSTRUCTIONS FOR PLACEMENT OF NOGGINS FOR DE LONGHI LINEAR VERTICAL RADIATORS



Suggested size for noggins; 90mm x 40mm framing timber installed vertically to either side of the radiator and set in 116mm from side of radiator. This will ensure you have suitable fixing for brackets.
NOTE: All measurements shown on diagrams in millimeters (not to scale)