



VERTICAL RADIATORS



SPACE SAVING OPTIONS WITH CONTEMPORARY GOOD LOOKS

De Longhi Vertical radiators come in various heights and widths, with their space saving streamlined finish they offer solutions where space is a problem. Vertical radiators can also offer height options where the proportions of a room might better suit taller narrow radiators.

If you need confirmation of quality, every De Longhi radiator has a 15 year guarantee against design or manufacturing defects from the date of installation.

finishes

High gloss white

measurements

Available as 1400, 1600, 1800, 2000, 2200, 2400

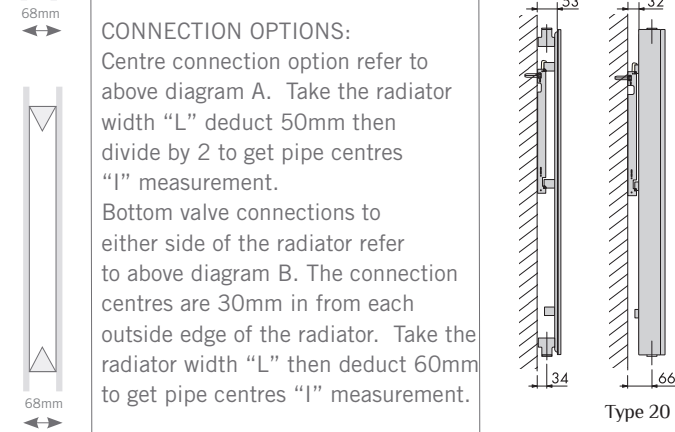
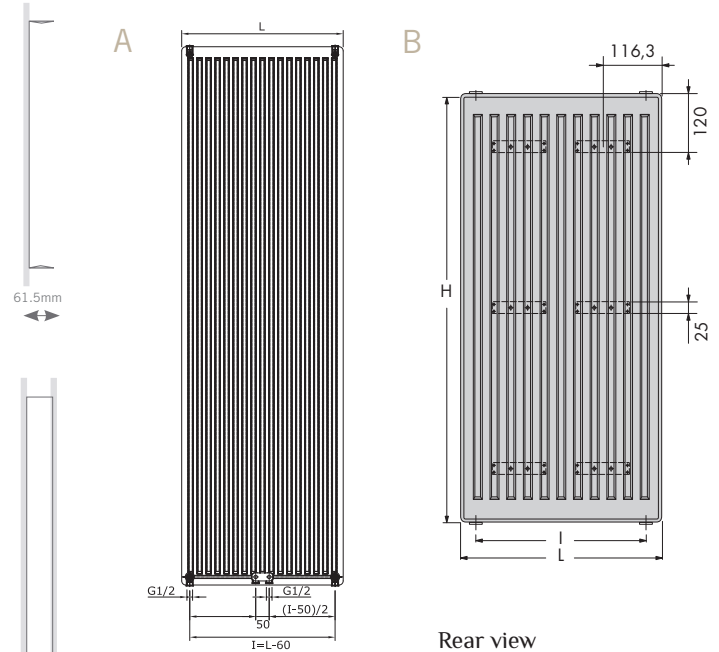
DE LONGHI VERTICAL RADIATOR OUTPUTS AND DIMENSIONS

TABLES BASED ON ΔT 60°C - MEAN WATER TEMPERATURE IN RADIATOR OF 80°C AND ROOM TEMPERATURE OF 20°C
 RADIATOR OUTPUTS TO EN442 STANDARD - NB: 700 HIGH SIZES AVAILABLE FOR ORDER (ALL SIZES SPECIAL ORDER ITEMS)

Type 10 Single (no side panels, grilles or convection fins)							
L-mm	H-mm	1400	1600	1800	2000	2200	2400
300	kW	0.542	0.605	0.623	0.751	0.835	0.895
400	kW	0.723	0.806	0.897	1.001	1.113	1.193
500	kW	0.904	1.008	1.121	1.251	1.392	1.492
600	kW	1.085	1.209	1.346	1.501	1.670	1.790
700	kW	1.265	1.411	1.570	1.752	1.949	2.088
900	kW	1.627	1.814	2.019	2.252	2.505	2.685

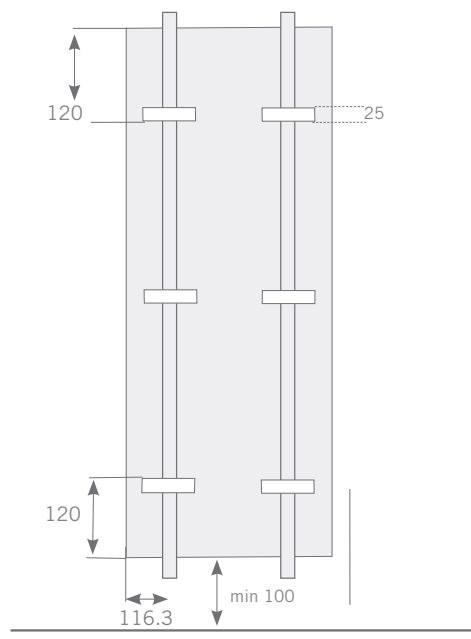
Type 20 Compact side panels, grilles (no convection fins)							
L-mm	H-mm	1400	1600	1800	2000	2200	2400
300	kW	0.824	0.927	1.028	1.128	1.227	1.331
400	kW	1.099	1.236	1.371	1.504	1.636	1.774
500	kW	1.373	1.545	1.714	1.880	2.045	2.218
600	kW	1.648	1.854	2.056	2.256	2.454	2.662
700	kW	1.923	2.163	2.399	2.632	2.863	3.105
900	kW	2.472	2.782	3.084	3.385	3.681	3.992

Type 21 Compact side panels, grilles & convection fins							
L-mm	H-mm	1400	1600	1800	2000	2200	2400
300	kW	1.016	1.122	1.229	1.326	1.422	1.509
400	kW	1.354	1.497	1.638	1.769	1.896	2.011
500	kW	1.693	1.871	2.048	2.211	2.370	2.514
600	kW	2.031	2.245	2.457	2.653	2.845	3.017
700	kW	2.370	2.619	2.867	3.095	3.319	3.520
900	kW	3.047	3.367	3.686	3.979	4.267	4.526



CONNECTION OPTIONS:
 Centre connection option refer to above diagram A. Take the radiator width "L" deduct 50mm then divide by 2 to get pipe centres "I" measurement.
 Bottom valve connections to either side of the radiator refer to above diagram B. The connection centres are 30mm in from each outside edge of the radiator. Take the radiator width "L" then deduct 60mm to get pipe centres "I" measurement.

INSTRUCTIONS FOR PLACEMENT OF NOGGINS FOR DE LONGHI LINEAR VERTICAL RADIATORS



Suggested size for noggins; 90mm x 40mm framing timber installed vertically to either side of the radiator and set in 116mm from side of radiator. This will ensure you have suitable fixing for brackets.
NOTE: All measurements shown on diagrams in millimeters (not to scale)



showroom 11 Fiveways Boulevard Keysborough VIC 3173
 phone 1300 00 1800 fax (+613) 9798 5133
 email enquiries@huntheat.com.au website www.huntheat.com.au