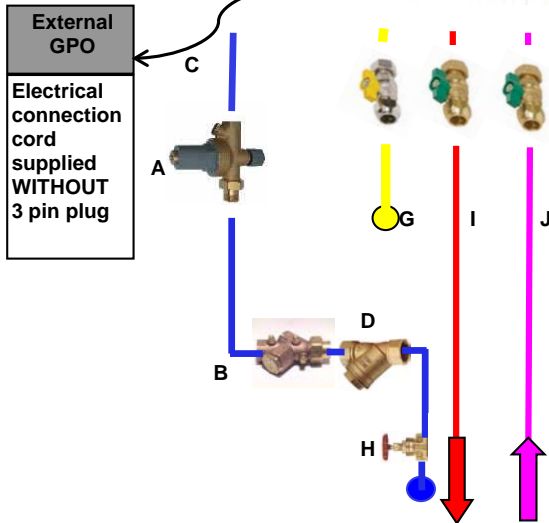
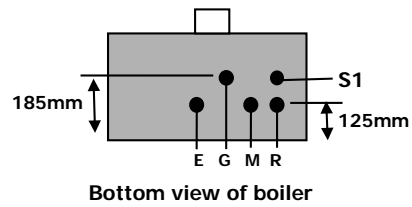
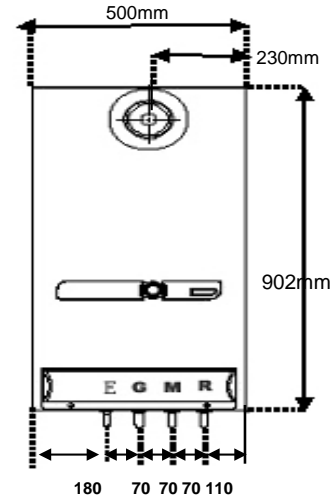
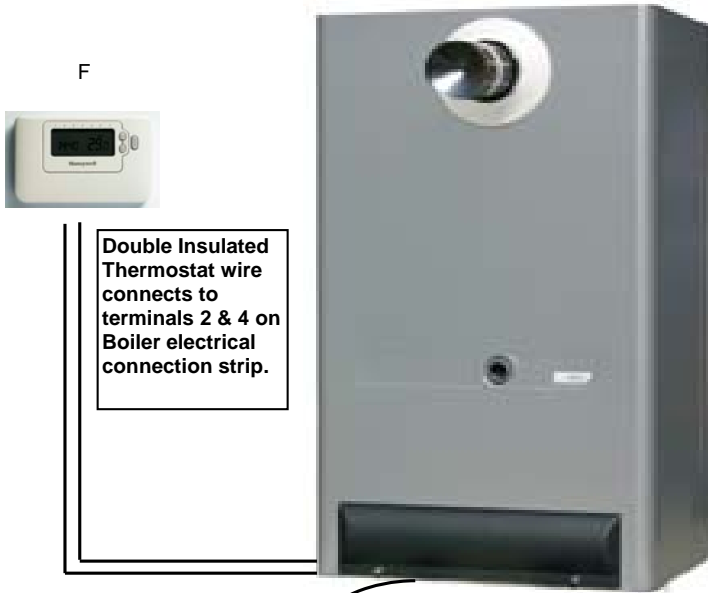




## Sime Format 34E and Part Numbers for Connection Equipment

NB: All measurements below in millimetres from pipe centre to pipe centre



| Connections |                       | Size                       |
|-------------|-----------------------|----------------------------|
| M           | C.H.Flow              | 3/4                        |
| R           | C.H.Return            | 3/4                        |
| G           | Gas Connection        | 3/4                        |
| E           | Filling Connection    | 1/2                        |
| C           | External GPO 240V     |                            |
| SI          | Pressure relief valve | 1/2                        |
| Part        | Part Number           | Description                |
| I           | 1070020               | Hot water Isolating Valve  |
| J           | 1070020               | Cold water Isolating Valve |
| G           | 1330020               | Gas Isolating Valve        |
| A           | VF06-12B              | Automatic Fill Valve       |
| B           | 269001                | Dual Check Valve           |
| D           | R74AY003              | In-Line "Y" Strainer       |
| H           | plumbing store        | 1/2" Gate valve            |
| F           | REV17/CMR707          | Programmable T/stat        |